

# FIRECHIEF REELMAX SWINGING AUTOMATIC FIRE HOSE REELS

**FIRECHIEF**<sup>®</sup>  
making the world a safer place

MODEL:

**RMSA19-B REEL  
RMSA25-B MAX**



RMSA19-B  
102-1077



Certified to EN 671-1:2012  
LPCB Ref: 1093e03

Certified to EN 671-1:2012  
LPCB Ref: 1093e04



+44 (0) 330 999 0019



[sales@firechiefglobal.com](mailto:sales@firechiefglobal.com)



[firechiefglobal.com](http://firechiefglobal.com)

# FIRECHIEF REELMAX SWINGING AUTOMATIC FIRE HOSE REELS

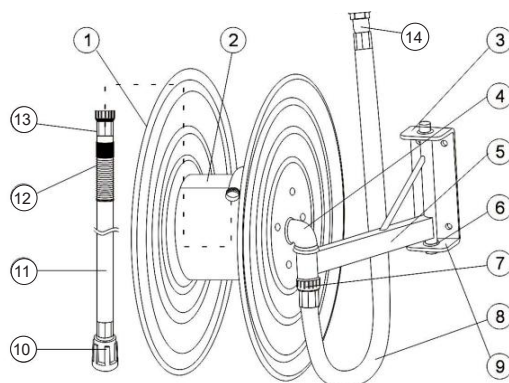
**FIRECHIEF®**  
making the world a safer place

## Features

- Hose reel with powder coated and anti-ultraviolet side discs
- Corrosion resistant full brass waterway
- Leak proof hose fitting used to connect fire hose to water outlet
- High pressure resistance; maximum working pressure, 12 bar
- Robust leak free design providing over 3000 rotations of the hose reel with no leakage
- High pressure spray. The nozzle can be adjusted to jet/spray
- This type of hose reel can be used in a fire hose reel cabinet
- Supplied with LPBC approved EN694 fire hose, ideal for applications where long intervals can occur between use

## MODEL:

**RMSA19-B REEL  
RMSA25-B MAX**



## Parts

- |                          |                       |
|--------------------------|-----------------------|
| 1. Hose Reel Disc        | 8. Inlet Pipe         |
| 2. Roller                | 9. Swinging Arm Pivot |
| 3. Bracket               | 10. Nozzle            |
| 4. Automatic Water Inlet | 11. Fire Hose         |
| 5. Swinging Arm          | 12. Spring Jacket     |
| 6. Locking Screw         | 13. Outlet Joint      |
| 7. Inlet Joint           | 14. Connector         |

## Usage

1. According to the indication on hose reel, spin the reel (1) 2-3 rotations towards ON. The automatic waterway will open. Then pull the hose towards fire, open nozzle (10) to spray/jet and aim at base of fire.
2. After use, rewind the hose to the OFF position on the hose reel.



Code	Model	Description	Hose Nominal Bore (mm)	Hose Maximum Length (m)	Nozzle Type	LPBC Ref. No.
102-1077	RMSA19-B	Automatic swinging arm, cabinet or wall mounted	19	30	Rotary operated jet/spray	1093e/03
102-1078	RMSA25-B	Automatic swinging arm, cabinet or wall mounted	25	30	Rotary operated jet/spray	1093e/04

For more information contact: Firechief Global, 3 Lands End Way, Oakham, Rutland, UK, LE15 6RB | Imported into EU by: Sentura Group (Ireland) Ltd, Joyce House, 21-23 Holles Street, Dublin 2, Ireland

+44 (0) 330 999 0019

sales@firechiefglobal.com

firechiefglobal.com